

General information

PVS4920200908

The bending beam load cell BBF is welded and built in stainless steel, has a thermal seal and has been designed for weighing tanks, hoppers, belts, platforms, single-cell systems, suspended loads and automatic packaging machines. The BBF cell is supplied with a 4-m shielded cable 3 m long.



Suggested related products

A highly performing weighing system must be accurate, perfectly calibrated and well maintained. In order to improve the load cell performance and to optimize its functioning, you may need the following products:

Weight Transmitter [DAT 1400](#)

Weight Indicator [MCT 1302](#)

Mounting kits [MKX ®](#)

Mounting kits [MH MOUNTING KIT](#)

Tester 1008 [TESTER 1008](#)

Junction Box [CGS4-C](#)

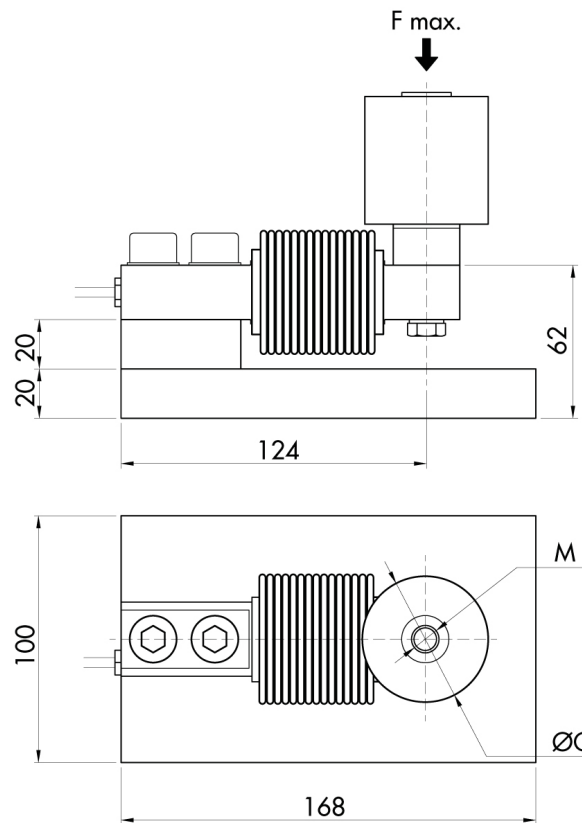
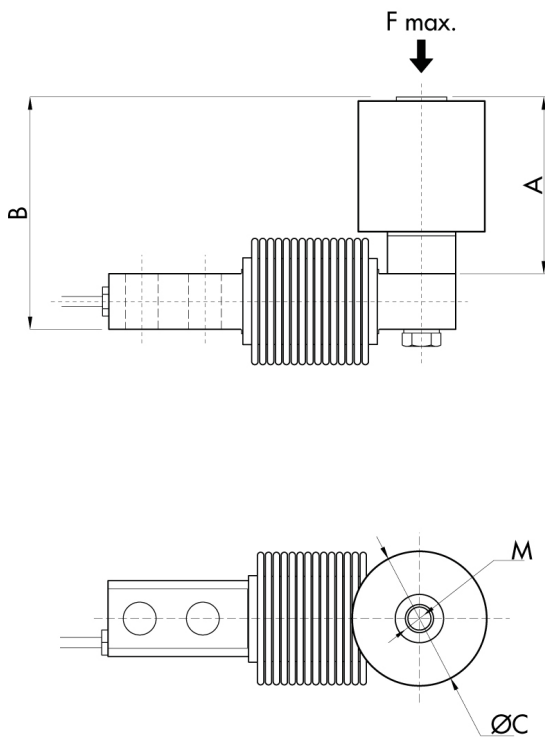
All indicated data may be changed without notice.
All the measures indicated are expressed in millimeters (mm).

Technical specifications

PVS4920200908

Rated load RL:	15, 30, 50, 75, 100, 150, 200, 250, 300, 500, 750, 1000, 1500 Kg
Combined error:	< ± 0.017 % RO
Repeatability:	< ± 0.015 % RO
Creep (20 minutes):	± 0.016 % RO
Safe overload:	150 % RL
Ultimate overload:	200 % RL
Accuracy class:	3000 OIML
Deflection:	0.2 ÷ 0.4 mm
Compensated Temperature:	-10 ÷ +40°C
Temperature range:	-20 ÷ +50°C
Temperature effect on zero balance:	< ± 0.01 % RO/5°K
Temperature effect on output:	< ± 0.006 % RO/5°K
Rated output RO:	2 mV/V ± 0.1 %
Zero balance:	< ± 2 % RO
Insulation resistance:	> 5000 MOhm
Input resistance:	400 \pm 20 Ohm
Output resistance:	350 \pm 3 Ohm
Recommended input:	5 ÷ 15 Vdc/Vac
Degree of protection:	IP68 - IP69K

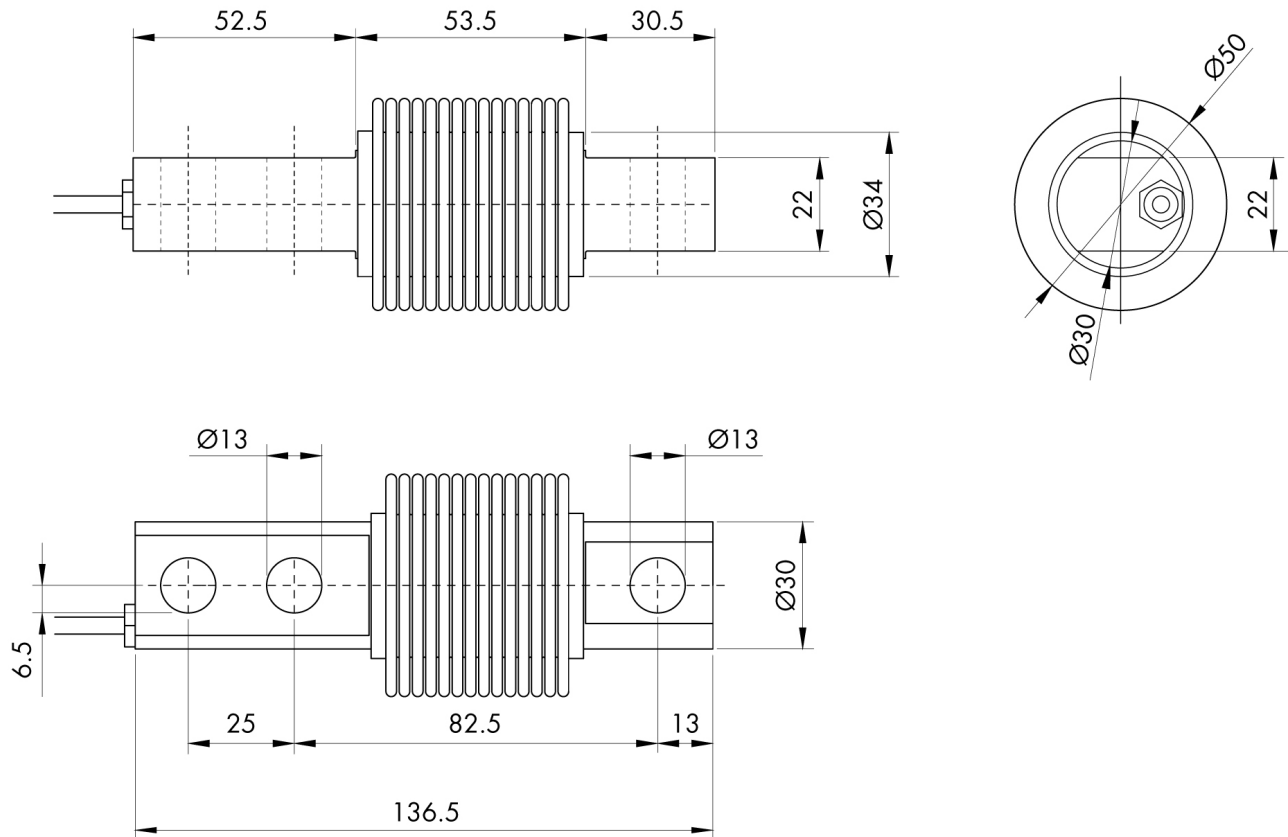
All indicated data may be changed without notice.
 All the measures indicated are expressed in millimeters (mm).



All indicated data may be changed without notice.
All the measures indicated are expressed in millimeters (mm).

Bending beam load cell BBF

available with certification • EAC • ATEX • OIML


Electrical Connection

+Excitation	Green
-Excitation	Black
+Signal	Red
-Signal	White
Shield	Cable shield

All indicated data may be changed without notice.
 All the measures indicated are expressed in millimeters (mm).