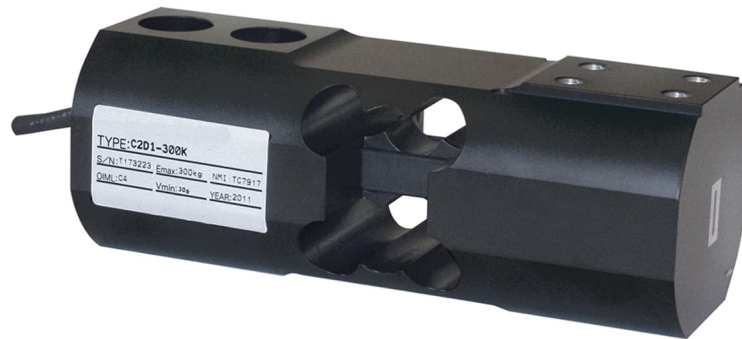


## General information

PVS4620200908

The off center load cell C2D1 can be used in different sectors as it maintains precision even where the loads are not well centered and static, it is characterized by high accuracy and low pressure. The customer can customize the C2D1 cell based on the type of application, for example the capacity can vary from 100 kg to 800 kg and the maximum dimensions of the plate are 450 x 650 mm. The C2D1 cell has a 4-conductor shielded cable.



## Suggested related products

A highly performing weighing system must be accurate, perfectly calibrated and well maintained. In order to improve the load cell performance and to optimize its functioning, you may need the following products:

**Weight Transmitter** [UWT 6008](#)

**Weight Transmitter** [DAT 1400](#)

**Weight Indicator** [MCT 1302](#)

**Tester 1008** [TESTER 1008](#)

**Junction Box** [CGS4-C](#)

**Off Center load cell** [U2D1](#)

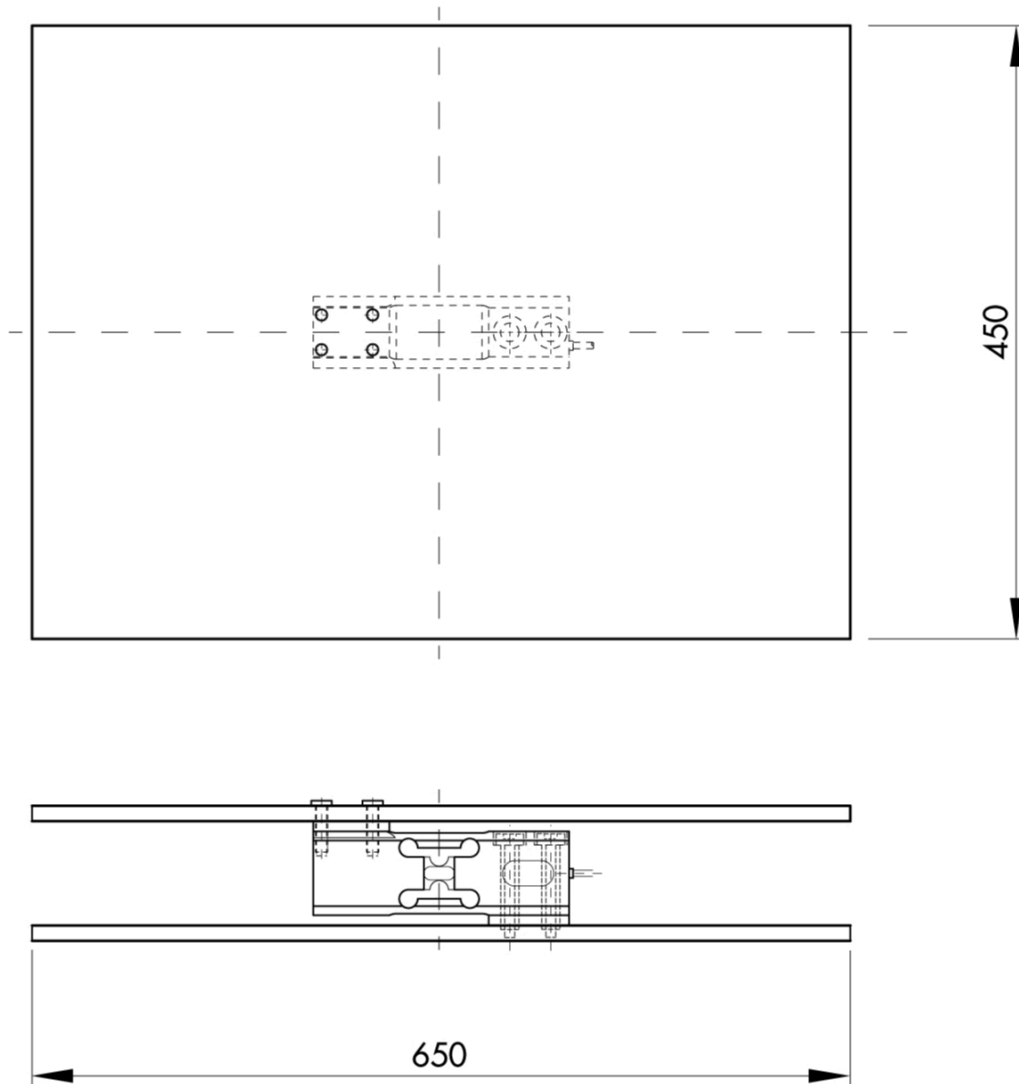
All indicated data may be changed without notice.  
All the measures indicated are expressed in millimeters (mm).

## Technical specifications

PVS4620200908

<b>Rated load RL:</b>	100, 120, 300, 450, 600, 800 Kg
<b>Combined error:</b>	< $\pm 0.02$ % RO
<b>Repeatability:</b>	< $\pm 0.018$ % RO
<b>Creep (30 minutes):</b>	$\pm 0.012$ % RO
<b>Safe overload:</b>	150 % RL
<b>Ultimate overload:</b>	200 % RL
<b>Material:</b>	Alluminum alloy
<b>Degree of protection:</b>	IP65
<b>Deflection:</b>	0.13 ÷ 0.46 mm
<b>Compensated Temperature:</b>	-10 ÷ +40°C
<b>Temperature range:</b>	-20 ÷ +70 °C
<b>Temperature effect on zero balance:</b>	< $\pm 0.0014$ % RO/°C
<b>Temperature effect on output:</b>	< $\pm 0.001$ % RO/°C
<b>Rated output RO:</b>	2 (+0.004, -0) mV/V
<b>Zero balance:</b>	< $\pm 0.1$ mV/V
<b>Insulation resistance:</b>	>2000 MOhm
<b>Input resistance:</b>	420 $\pm$ 40 Ohm
<b>Output resistance:</b>	350 $\pm$ 3 Ohm
<b>Recommended input:</b>	5 ÷ 12 Vdc/Vac
<b>Maximum supply voltage:</b>	16 V

All indicated data may be changed without notice.  
 All the measures indicated are expressed in millimeters (mm).

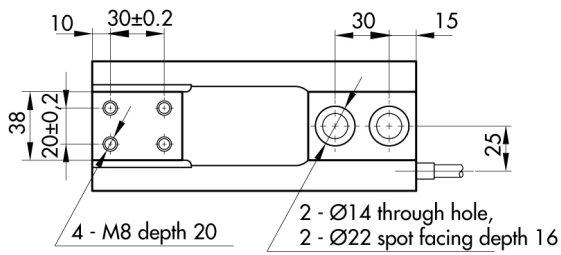
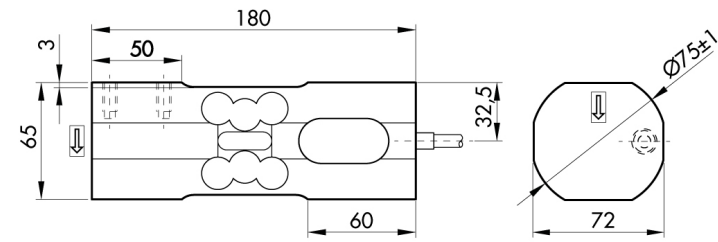

**Electrical Connection**

+Excitation	Red
-Excitation	White
+Signal	Green
-Signal	Blue
Shield	Cable shield

**To Know**

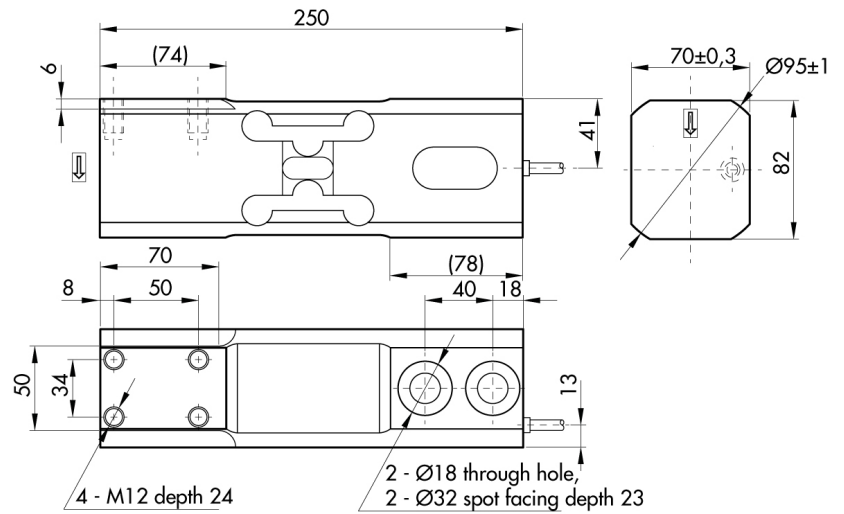
Error is within 0.02% SN applied with 1/2 of capacity at the position of 200mm of eccentricity  
 The center of loading plate and the center of the load cell should be the same position

All indicated data may be changed without notice.  
 All the measures indicated are expressed in millimeters (mm).



Capacity 100 ÷ 450 Kg

Capacity 600 ÷ 800 Kg



All indicated data may be changed without notice.  
 All the measures indicated are expressed in millimeters (mm).