

## General information

PVS12520200908

The CS30 S-type load cell, made of stainless steel, has been designed for the industrial and fiscal weighing of small tanks and hoppers, it has excellent linearity and precision features and it has an overload resistance of over 300%. Furthermore, the tension and compression CS300 load cell owns a watertight protection for use in severe environmental conditions and it is also available in a special high temperature version.



## Suggested related products

A highly performing weighing system must be accurate, perfectly calibrated and well maintained. In order to improve the load cell performance and to optimize its functioning, you may need the following products:

**Universal load cell** [CS20](#)

**S-Type load cell** [TRP](#)

**S-Type load cell** [TRZ](#)

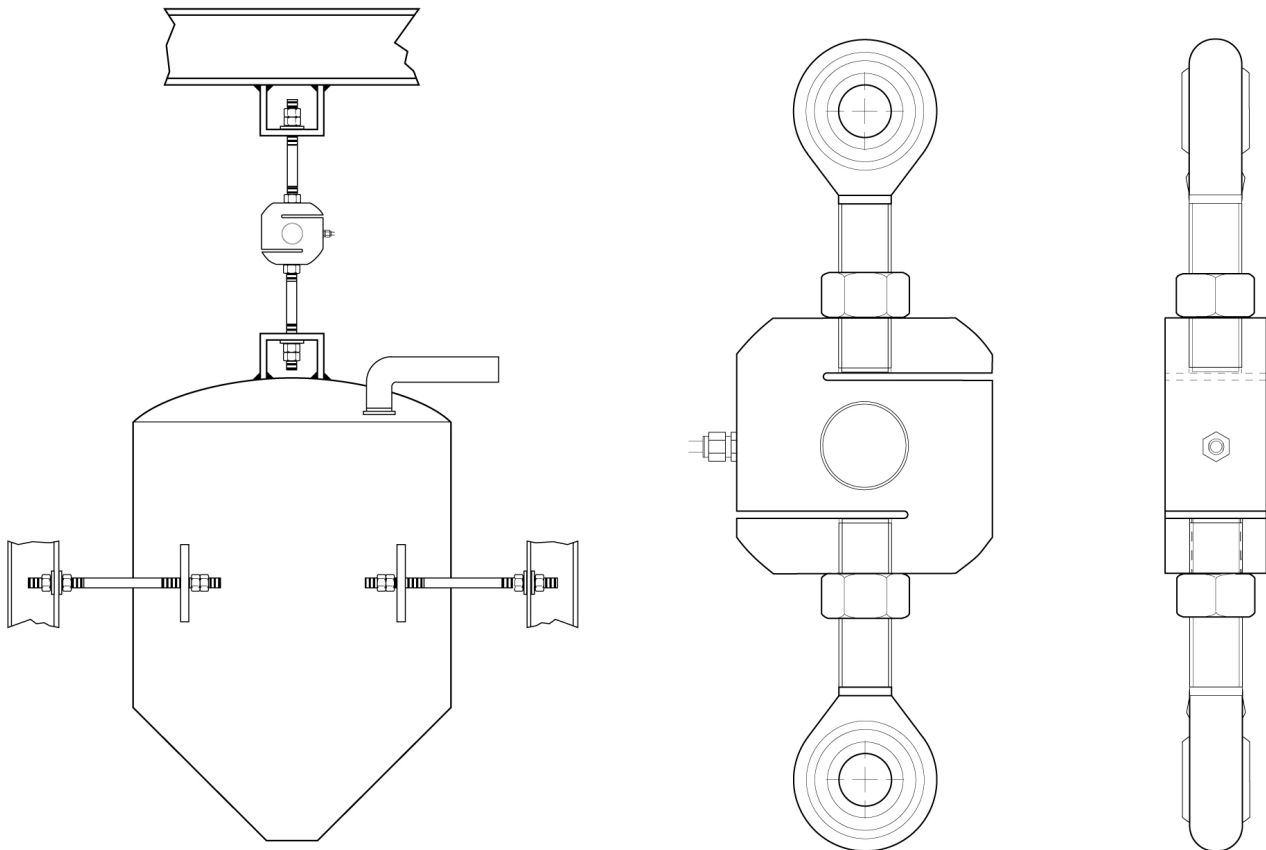
All indicated data may be changed without notice.  
All the measures indicated are expressed in millimeters (mm).

## Technical specifications

PVS12520200908

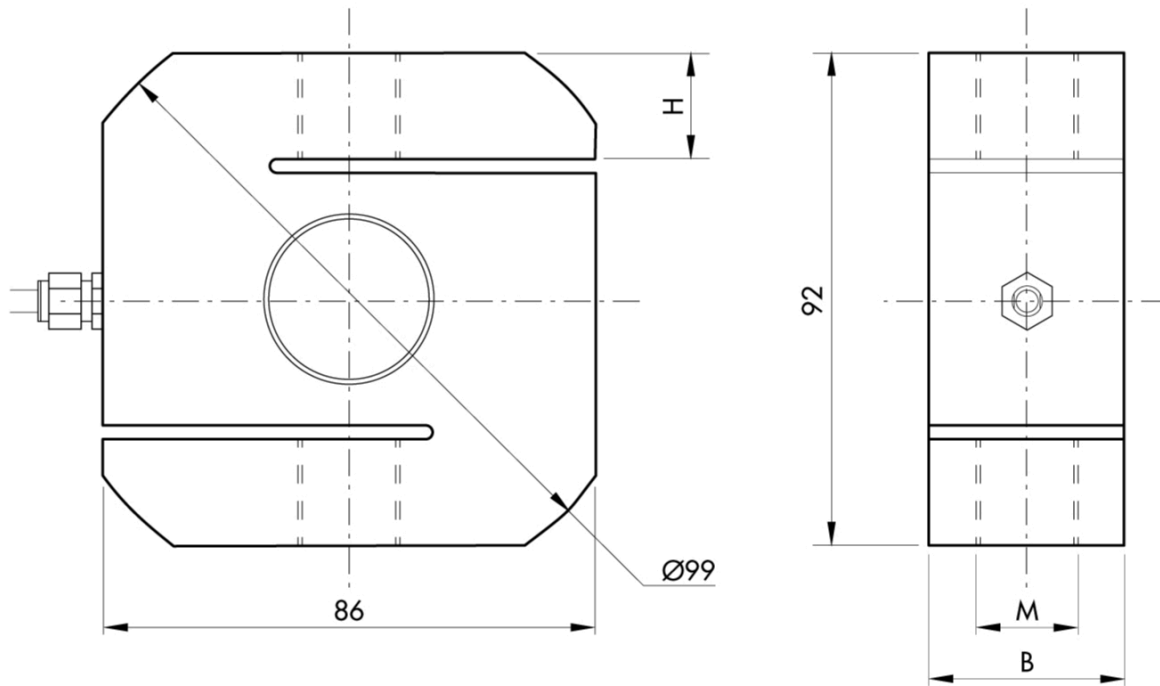
<b>Rated load RL:</b>	0.5, 2, 3, 4, 5, 6, 7.5 t
<b>Combined error:</b>	< ±0,02 % RL
<b>Repeatability:</b>	< ±0,01 % RL
<b>Creep (30 minutes):</b>	±0,02 % RL
<b>Safe overload:</b>	150 % RL
<b>Ultimate overload:</b>	300 % RL
<b>Material:</b>	Stainless steel
<b>Degree of protection:</b>	IP68
<b>Accuracy class:</b>	3000 OIML
<b>Deflection:</b>	0.2 ÷ 0.4 mm
<b>Compensated Temperature:</b>	-10 ÷ +40 °C
<b>Temperature range:</b>	-35 ÷ +65 °C
<b>Temperature effect on zero balance:</b>	< ±0.01 % RL/5°K
<b>Temperature effect on output:</b>	< ±0.006 % RL/5°K
<b>Rated output RO:</b>	2 mV/V ±0,004 %
<b>Zero balance:</b>	< ±1,5 % RO
<b>Insulation resistance:</b>	> 5000 MOhm
<b>Input resistance:</b>	350 ±3.5 Ohm
<b>Output resistance:</b>	351 ±2.0 Ohm
<b>Recommended input:</b>	5 ÷ 12 Vdc/ac
<b>ATEX certified version:</b>	II1G Ex ia II1C T4; II1D Ex iaD20T73°C; II3G nL ia II C T4

All indicated data may be changed without notice.  
 All the measures indicated are expressed in millimeters (mm).


**Electrical connections**

+Excitation	Red
-Excitation	Black
+Sense	Blue
-Sense	Brown
+Signal	Green
-Signal	White
Shield	Cable shield

All indicated data may be changed without notice.  
 All the measures indicated are expressed in millimeters (mm).



RANGE	0.5	1	2	3	4	5	6	7.5
B	32	32	32	32	36	50	50	50
M	M12x1.75	M12x1.75	M20x1.5	M20x1.5	M20x1.5	M24x2	M24x2	M24x2
H	25	25	25	25	25	24	24	24

All indicated data may be changed without notice.  
 All the measures indicated are expressed in millimeters (mm).