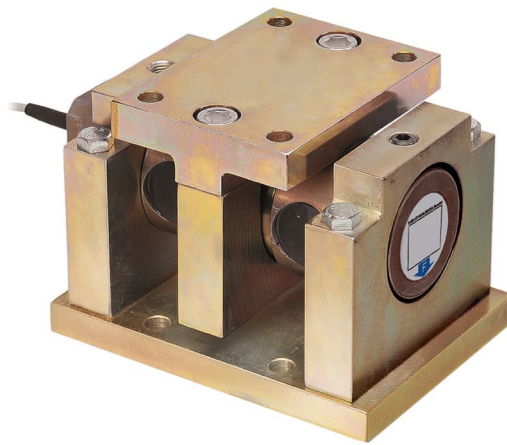


General information

PVS2820200908

The BLH NOBEL KIMD-1 load cell is easy to install and it needs no additional mounting accessories. The KIMD-1 cell is suitable for weighing big loads and has a movable load point. The load cell BLH NOBEL KIMD-1 is also available for extreme temperature from - 40 to + 100 °C. It can be also made in stainless steel if required. Moreover, versions of the same load cell are available with ATEX certificate for the usage in explosive areas.



Suggested related products

A highly performing weighing system must be accurate, perfectly calibrated and well maintained. In order to improve the load cell performance and to optimize its functioning, you may need the following products:

Weight Transmitter [UWT 6008](#)

Weight Transmitter [DAT 1400](#)

Weight Indicator [MCT 1302](#)

Tester 1008 [TESTER 1008](#)

Junction Box [CGS4-C](#)

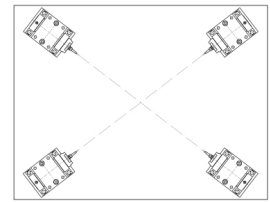
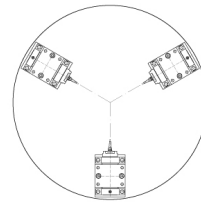
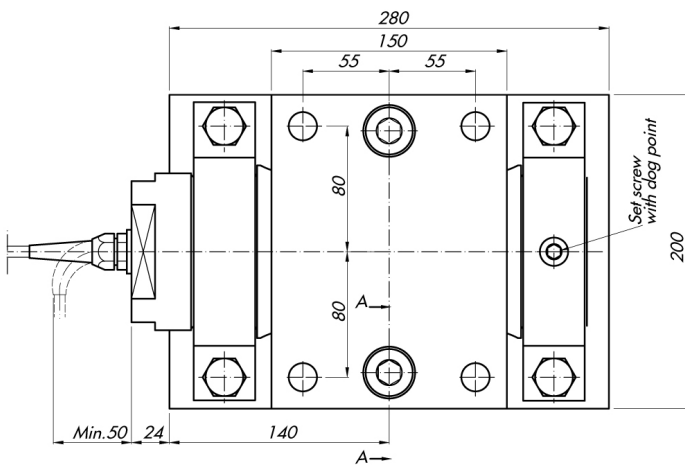
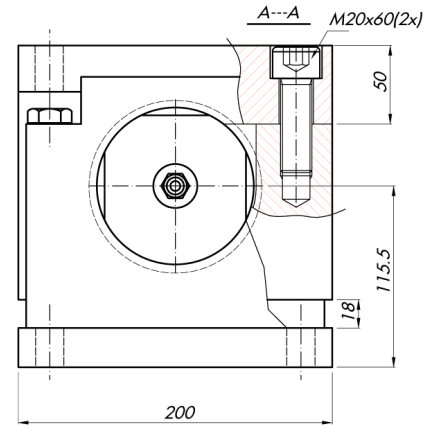
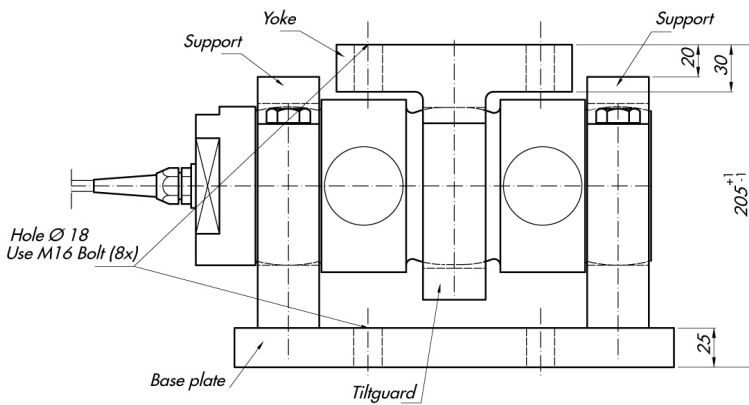
All indicated data may be changed without notice.
All the measures indicated are expressed in millimeters (mm).

Technical specifications

PVS2820200908

Rated load RL:	500, 800 kN
Combined error:	±0.1 % RO
Repeatability:	0.02 % RO
Creep (30 minutes):	±0.03 % RL
Safe overload:	50 % RL
Ultimate overload:	100 % RL
Material:	Yellow chromate steel
Degree of protection:	IP67
Temperature range:	-40 ÷ +80 (+100 optional) °C
Temperature effect on zero balance:	±0.003 % RO/°C
Temperature effect on output:	±0.003 % of output/°C
Rated output RO:	2.040 mV/V ± 0.25%
Zero balance:	±2 % RO
Insulation resistance:	> 4 G Ohm
Input resistance:	350 ± 5 Ohm
Output resistance:	350 ±0.5 Ohm
Recommended input:	10 Vdc/ac
Maximum supply voltage:	18 Vdc/ac
Tolerance of shunt calibration values:	±0.25 %

All indicated data may be changed without notice.
 All the measures indicated are expressed in millimeters (mm).



All indicated data may be changed without notice.
All the measures indicated are expressed in millimeters (mm).