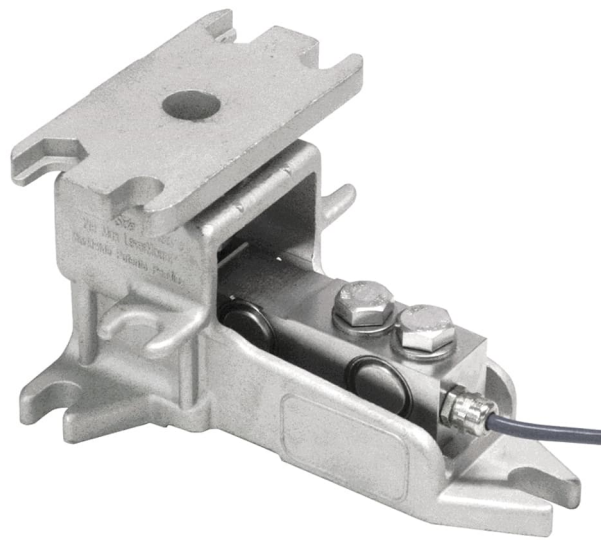


General information

PVS2620200908

LEVERMOUNT is the most recent and innovative mechanical assembly system for load cells for industrial weighing systems. The LEVERMOUNT weighing module has a stainless steel shear beam load cell, a base with three fixing points for maximum stability. The kit is easily adjustable for radial and tangential mounting. LEVERMOUNT does not hinder the normal expansion and contraction movements of the tank and allows the tank to be lifted independently without the aid of a jack. The load cell and the mounting component of the LEVERMOUNT product cannot be sold separately, the weighing module must be purchased in full (see image).



Suggested related products

A highly performing weighing system must be accurate, perfectly calibrated and well maintained. In order to improve the load cell performance and to optimize its functioning, you may need the following products:

Weight Transmitter [DAT 1400](#)

Weight Indicator [MCT 1302](#)

Mounting kits [MKX ®](#)

Mounting kits [MH MOUNTING KIT](#)

Tester 1008 [TESTER 1008](#)

Junction Box [CGS4-C](#)

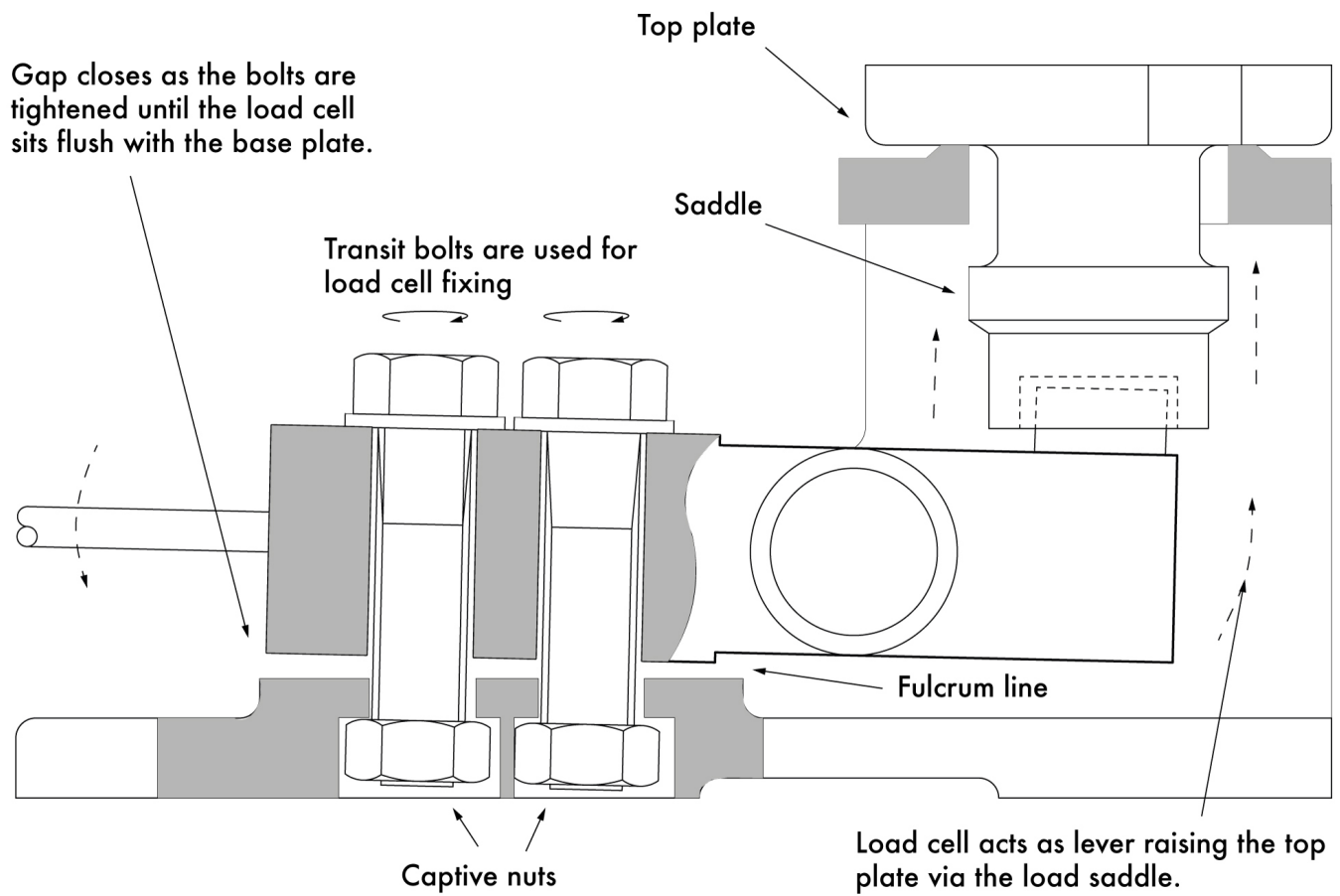
All indicated data may be changed without notice.
All the measures indicated are expressed in millimeters (mm).

Technical specifications

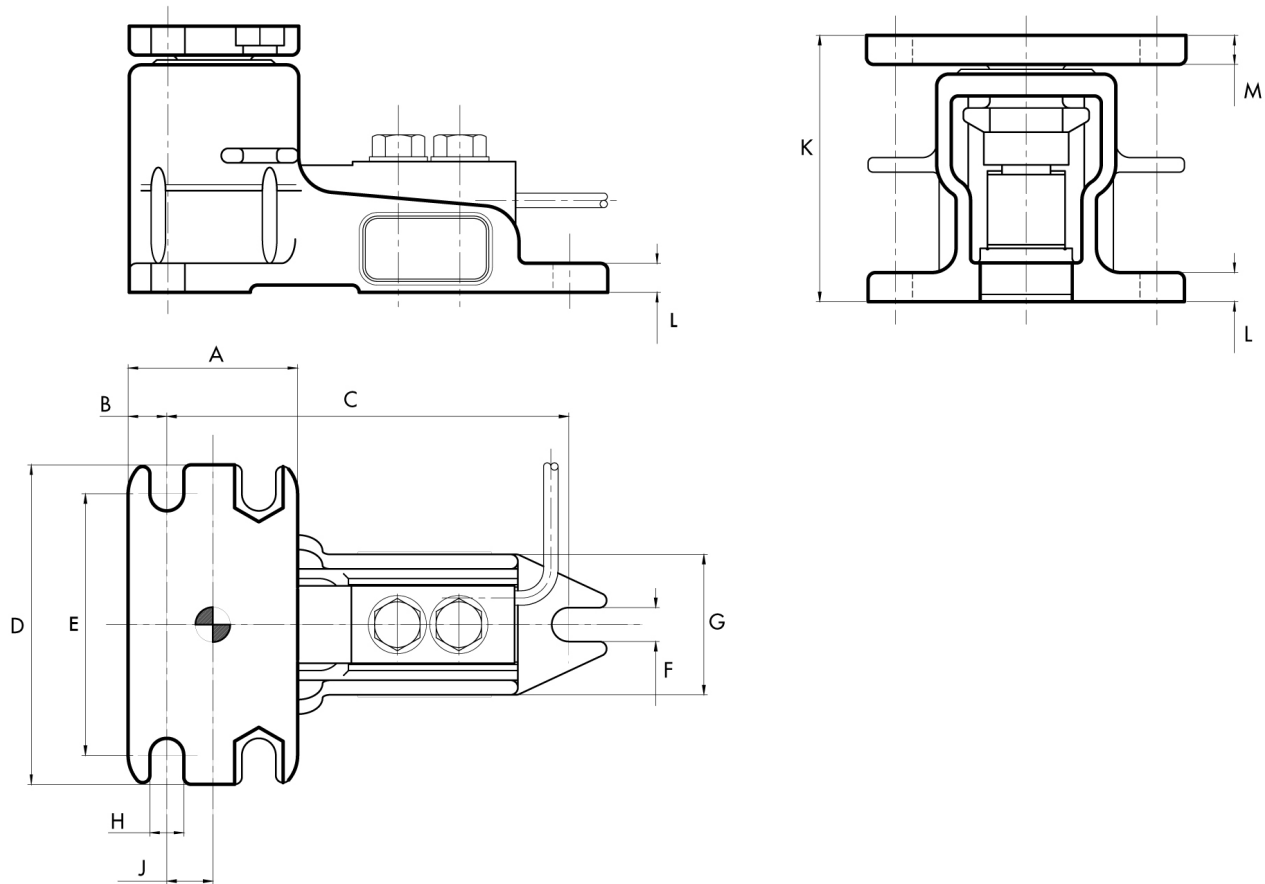
PVS2620200908

Rated load RL:	300, 500, 1000, 1500, 2000, 2500, 3000, 5000 Kg
Combined error:	< ± 0.017 % RO
Repeatability:	< $\pm 0,015$ % RO
Creep (30 minutes):	± 0.016 % RO
Safe overload:	150 % RL
Ultimate overload:	200 % RL
Clamping force without any load:	RL 300 ÷ 2000 kg: 136 Nm; RL 3000 ÷ 5000 kg: 205 Nm
Degree of protection:	IP68
Accuracy class:	3000 OIML
Deflection:	0.2 ÷ 0.4 mm
Compensated Temperature:	-10 ÷ +40°C
Temperature range:	-30 ÷ +70°C
Temperature effect on zero balance:	± 0.002 % RO/°C
Temperature effect on output:	< ± 0.0012 % output/°C
Rated output RO:	2 mV/V ± 0.05 %
Zero balance:	± 2 % RO
Insulation resistance:	> 5000 M Ohm @ 100 Vdc
Input resistance:	400 ± 20 Ohm
Output resistance:	350 ± 3 Ohm
Recommended input:	5 ÷ 15 Vcc/ca

All indicated data may be changed without notice.
 All the measures indicated are expressed in millimeters (mm).



All indicated data may be changed without notice.
All the measures indicated are expressed in millimeters (mm).



PORTATA kg	A	B	C	D	E	F	G	H	J	K	L	M
20, 50, 100, 200	70	16	147	100	80	9	55	9	19	80	7	8
300, 500, 1000, 2000	70	16	168	132	108	14	60	14	19	110	12	12
3000, 5000	100	25	225	190	150	22	80	22	25	166	15	20

All indicated data may be changed without notice.
 All the measures indicated are expressed in millimeters (mm).