

General information

PVS12420200908

The Tester 1006 has a simultaneous control function of up to 4 load cells in any weighing system, upload and download function for programming the DAT and MC 302 series instruments, but it can also be used as a Calibrator and Peak detector. It is very useful for the correct mechanical installation and for fault diagnosis. The Tester 1006 is supplied as standard with cable for connection to our junction boxes / sum mod. CEM 4 / C and CGS 4 / C. Simultaneous display of the signal of each individual load cell allows to control the entire weighing system, weight distribution, overloads, faulty cells and faulty connections. OUT OF PRODUCTION. Pavone systems provides a new version of Tester 1006: Tester 1008.

Technical Manual: [tester-1006_en.pdf](#)

All indicated data may be changed without notice.
All the measures indicated are expressed in millimeters (mm).

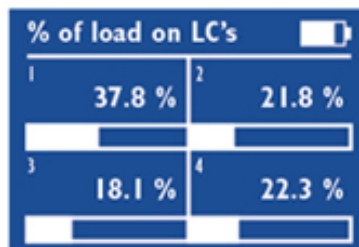
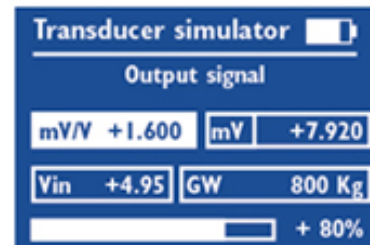
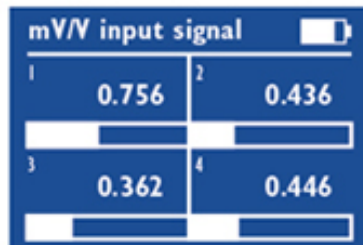
Technical specifications

PVS12420200908

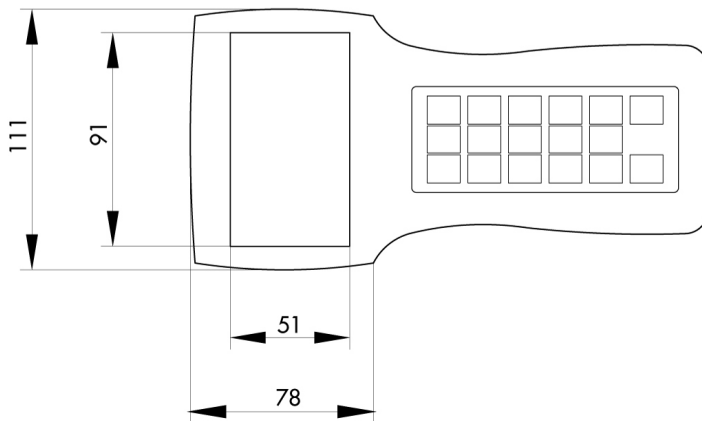
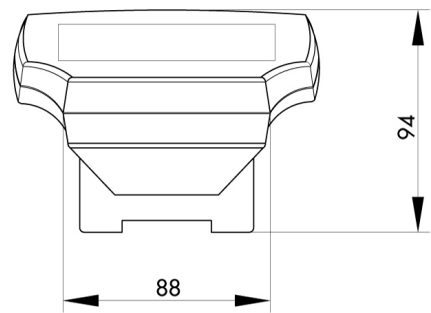
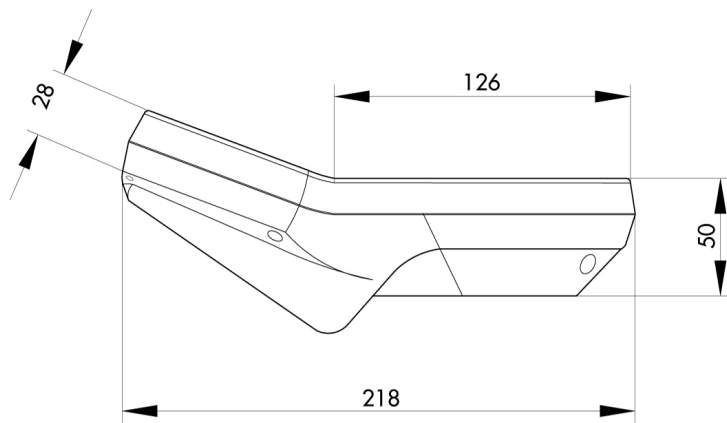
Measuring range:	-3,9 ÷ +3,9 mV/V
Full scale non-Linearity:	<0.01 % full scale
Gain drift:	<0.001 % of full scale/°C
Display:	Graphical 3 "
A/D Converter:	24 bits
Internal Resolution:	> 16,000,000 points
Transducer input voltage:	5 Vdc / 60 mA (max 4 350 Ohm load cells in parallel)
Degree of protection:	IP54
Visible resolution (in divisions):	50000
Divisions value (adjustable):	x1, x2, x5
Decimal figures range:	0 ÷ 3
Temperature range:	-10 ÷ +50 °C (max 85% humidity without condensation)
Storage temperature:	-20 ÷ +70 °C
Power supply:	4 AA batteries - Power consumption 5 W
Weight:	500 g
Accuracy full scale:	0.033 % full scale
Load cells connection:	25-pin D-sub connector and cable length 2m
Power consumption:	125 ÷ 190 mA
Impedance:	350 ÷ 700 Ohm, 300 ÷ 4500 Ohm
Input signal cells:	-3 ÷ +20.3 mV
Voltage power cell:	3 ÷ 12 Vdc
Connection to the instruments:	25-pin D-sub connector and cable length 0.5 m

All indicated data may be changed without notice.
 All the measures indicated are expressed in millimeters (mm).

Display visualization



All indicated data may be changed without notice.
 All the measures indicated are expressed in millimeters (mm).



All indicated data may be changed without notice.
All the measures indicated are expressed in millimeters (mm).