

## General information

PVS21020200812

The DAT 400 Devicenet weight transmitter is sold exclusively by Pavone Systems and it guarantees high performance and reliability. DAT 400 Devicenet can be bought in combination with Tester 1008, which facilitates the upload and download functions for the programming. Configuration and calibration can be set up from the front panel or from a PC. The product can be customized according to customer's needs. It has a peak hold function for dynamic measures and screw terminal blocks.



Software Innovation 2: [inovation\\_2\\_weighing\\_software.zip](#)

Devicenet EDS file: [dat\\_400\\_500\\_devicenet\\_eds.zip](#)

Technical Manual: [dat-400\\_en.pdf](#)

Technical Manual: [dat-400\\_fieldbus\\_en.pdf](#)

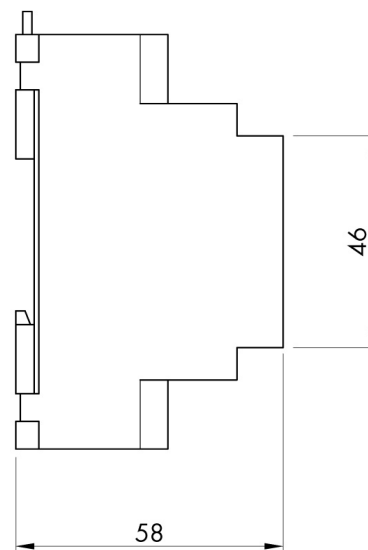
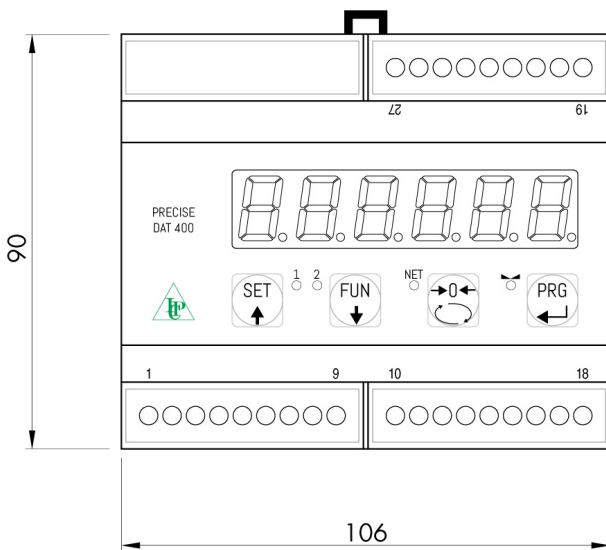
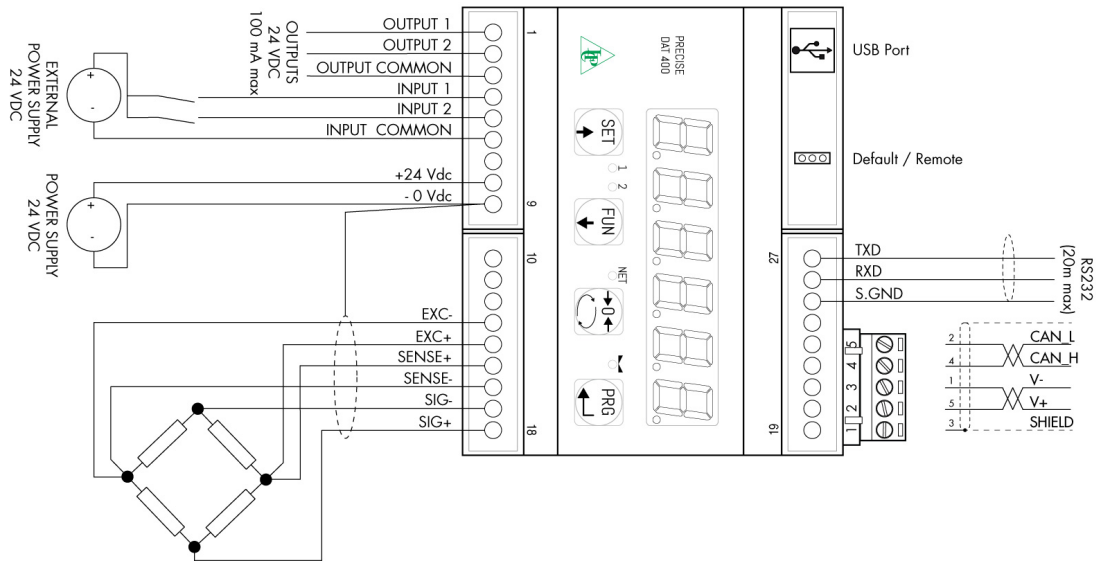
All indicated data may be changed without notice.  
All the measures indicated are expressed in millimeters (mm).

## Technical specifications

PVS21020200812

<b>Measuring range:</b>	-0.5 ÷ +3.5 mV/V (-3.9 ÷ +3.9 mV/V optional)
<b>Input sensitivity:</b>	0.02 µV/count
<b>Full scale non-Linearity:</b>	<0.01%
<b>Gain drift:</b>	< 0.001% FS/°C
<b>Display:</b>	6 digit, red LED (7 segments), h 14 mm
<b>A/D Converter:</b>	24 bit
<b>Internal Resolution:</b>	> 16.000.000 points
<b>Transducer input voltage:</b>	5 V (max 6 load cells 350 Ohm)
<b>Visible resolution (in divisions):</b>	60000
<b>Divisions value (adjustable):</b>	x1, x2, x5
<b>Decimal figures range:</b>	0 ÷ 3
<b>Temperature range:</b>	-10 ÷ +50°C (max umidity 85% without condensation)
<b>Storage temperature:</b>	-20 ÷ +70 °C
<b>Filter:</b>	0.1 ÷ 25 Hz
<b>Logic output:</b>	2 Solid-state relays, (maximum load 24 Vdc / 100 mA each)
<b>Logic input:</b>	2 optoisolated 24 Vcc PNP (External voltage)
<b>Serial port:</b>	USB, RS232C with ASCII or Modbus RTU protocols
<b>Power supply:</b>	24 Vcc ±15% - power 5 W
<b>Regulatory compliance:</b>	EN61326-1, EN55011 and EN55014 for EMC; EN61010-1 for electrical security
<b>Baud rate:</b>	2400, 9600, 19200, 38400, 115200 adjustable (for RS232)
<b>Transmission distance:</b>	15m (RS232C)
<b>Fieldbus:</b>	Devicenet
<b>Dimensions and weight:</b>	106 x 90 x 58 mm (L x H x P); 250 g

All indicated data may be changed without notice.  
All the measures indicated are expressed in millimeters (mm).



All indicated data may be changed without notice.  
 All the measures indicated are expressed in millimeters (mm).