

General information

PVS5820200812

The DAT 400 PBS weight transmitter is an innovative and exclusive product by Pavone Sistemi that can be customized. It owns the upload and download function for programming with TESTER 1008, 32 addressable units connectable to PC or PLC, linearization on 10 points and configuration and calibration from the front panel or PC via the USB serial port. It has a peak hold function for dynamic measures and screw terminal blocks.



Software Innovation 2: [inovation_2_weighing_software.zip](#)

Technical Manual: [dat-400_en.pdf](#)

Technical Manual: [dat-400_analog_en.pdf](#)

Technical Manual: [dat-400_fieldbus_en.pdf](#)

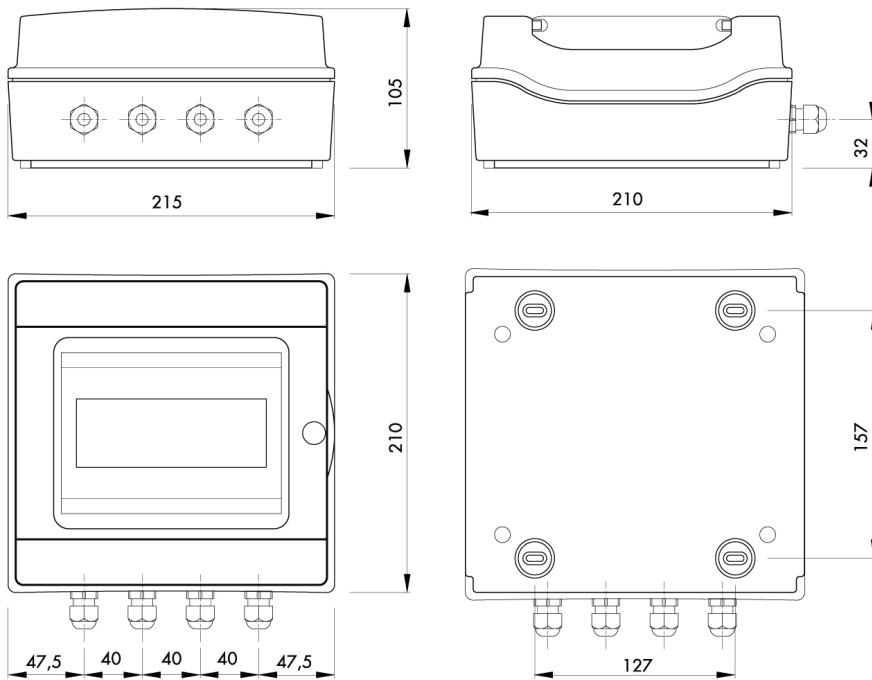
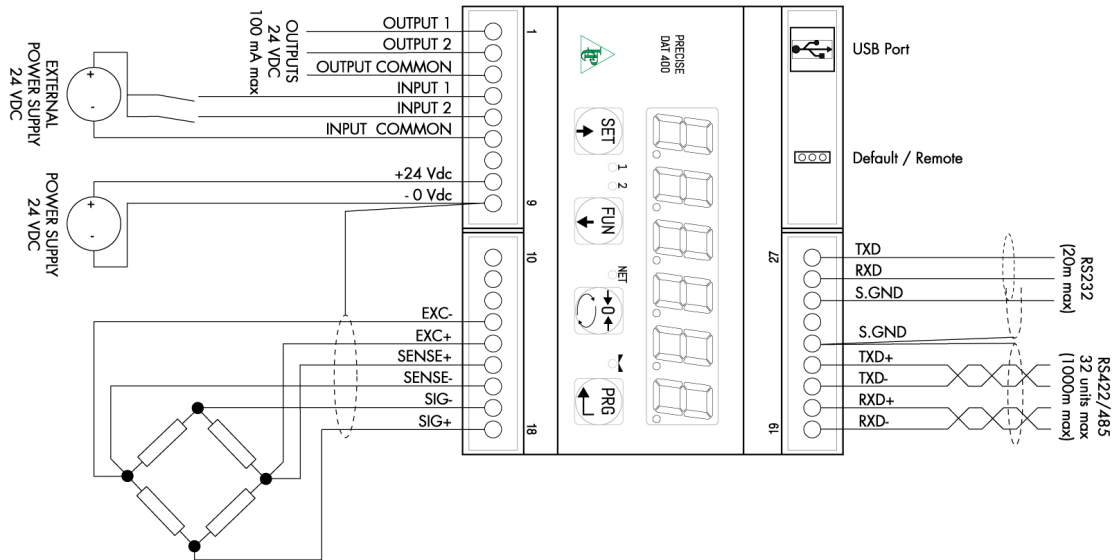
All indicated data may be changed without notice.
All the measures indicated are expressed in millimeters (mm).

Technical specifications

PVS5820200812

Measuring range:	-0.5÷+3.5 mV/V (-3.9÷+3.9 mV/V optional)
Input sensitivity:	0.02 μ V/count
Full scale non-Linearity:	<0.001%
Gain drift:	<0.001% FS/°C
Display:	6 digit, red LED (7 segments), h 14 mm
A/D Converter:	24 bit
Internal Resolution:	> 16.000.000 points
Transducer input voltage:	5 V (max 6 load cells 350 Ohm)
Visible resolution (in divisions):	60000
Decimal figures range:	0 ÷ 3
Temperature range:	-10 ÷ +50°C (max umidity 85% without condensation)
Storage temperature:	-20 ÷ +70°C
Filter:	0.1 ÷ 25 Hz
Logic output:	2 Solid-state relays, (maximum load 24 Vdc / 100 mA each)
Logic input:	2 optoisolated 24 V c.c. PNP (External voltage)
Serial port:	USB, RS232C or RS422/RS485 with ASCII or Modbus RTU protocols
Power supply:	18 ÷ 28 Vcc - power 5 W
Regulatory compliance:	EN50081-1, EN50082-2 for EMC; EN61010-1 for Electrical security
Baud rate:	2400, 9600, 19200, 38400, 115200 adjustable
Transmission distance:	15m (RS232C), 1000m (RS422; RS485)
Fieldbus:	Profibus, Devicenet, Ethernet, Profinet, CANopen, Modbus-Plus, Precise Gateway 3000
Dimensions and weight:	215x210x105 (PBS) (LxHxD)

All indicated data may be changed without notice.
All the measures indicated are expressed in millimeters (mm).



All indicated data may be changed without notice.
All the measures indicated are expressed in millimeters (mm).