

## General information

PVS22520200812

The DAT 500 Analog weight transmitter guarantees high performance and reliability. It own function of uploading and downloading for programming with TESTER 1008. The connection can be made through the external converter and the configuration and calibration can be set from the front panel or from PC with the Inovation™ program (MS WINDOWS). The weight transmitter DAT 500 Analog has a Peak Hold function for dynamic weighings and screw terminal blocks.



Software Inovation 2: [inovation\\_2\\_weighing\\_software.zip](#)

Technical Manual: [dat-500\\_en.pdf](#)

Technical Manual: [dat-500\\_analog\\_en.pdf](#)

All indicated data may be changed without notice.  
All the measures indicated are expressed in millimeters (mm).

## Technical specifications

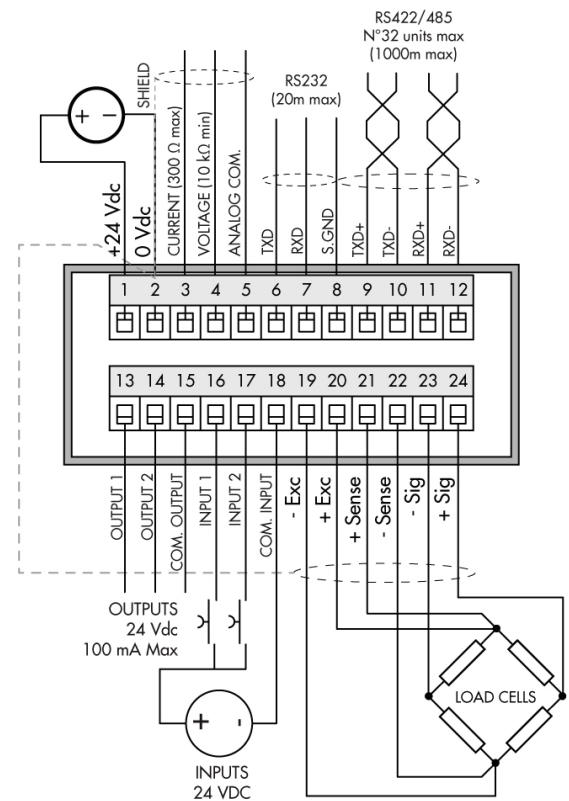
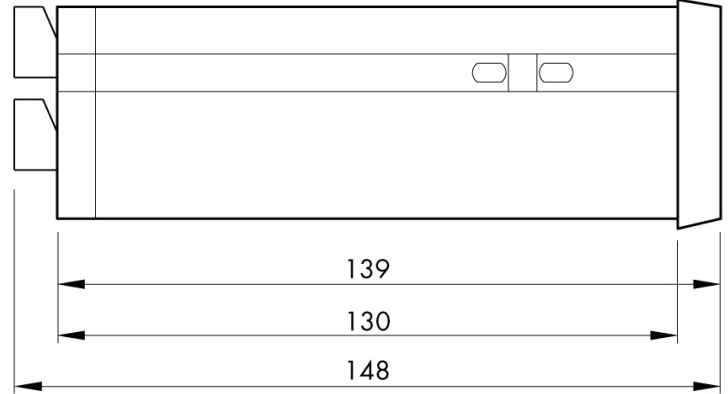
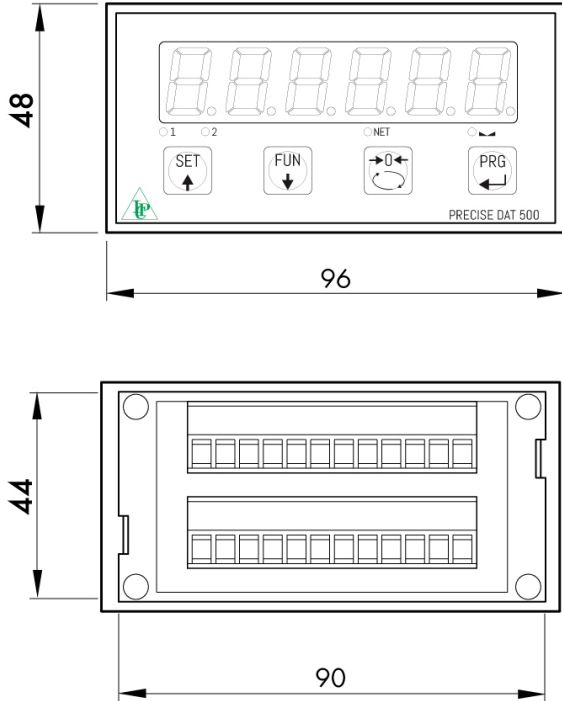
PVS22520200812

<b>Measuring range:</b>	-0.5 ÷ +3.5 mV/V (-3.9 ÷ +3.9 mV/V optional)
<b>Input sensitivity:</b>	0.02 µV/count
<b>Full scale non-Linearity:</b>	<0.01%
<b>Gain drift:</b>	<0.001% FS/°C
<b>Display:</b>	6 digit, red LED (7 segments), h 14 mm
<b>A/D Converter:</b>	24 bit
<b>Internal Resolution:</b>	> 16.000.000 points
<b>Transducer input voltage:</b>	5 V (max 6 load cells 350 Ohm)
<b>Visible resolution (in divisions):</b>	60000
<b>Divisions value (adjustable):</b>	x1, x2, x5
<b>Decimal figures range:</b>	0 ÷ 3
<b>Temperature range:</b>	-10 ÷ +50°C (max umidity 85% without condensation)
<b>Storage temperature:</b>	-20 ÷ +70 °C
<b>Filter:</b>	0.1 ÷ 25 Hz
<b>Logic output:</b>	2 Solid-state relays, (maximum load 24 Vdc / 100 mA each)
<b>Logic input:</b>	2 optoisolated 24 V c.c. PNP (External voltage)
<b>Serial port:</b>	RS232C or RS422/RS485 with ASCII or Modbus RTU protocols
<b>Power supply:</b>	24 V c.c. ±15% - power 5 W
<b>Regulatory compliance:</b>	EN61326-1, EN55011 and EN55014 for EMC; EN61010-1 for electrical security
<b>Analog output:</b>	optoisolated 16 Bit Tension: 0÷5/10V (R min10 K Ohm) Current: 0/4÷20mA (R max 300 Ohm)
<b>Dimensions and weight:</b>	96 x 48 x 120 mm (L x H x D); 250 g
<b>Baud rate:</b>	2400, 9600, 19200, 38400, 115200 adjustable
<b>Transmission distance:</b>	15m (RS232C), 1000m (RS422; RS485)
<b>Bipolar optional output:</b>	±10V

All indicated data may be changed without notice.  
All the measures indicated are expressed in millimeters (mm).

# Weight Transmitter DAT 500 Analog

available with certification • UL • GOST • EAC



All indicated data may be changed without notice.  
All the measures indicated are expressed in millimeters (mm).