

General information

PVS6920200812

The PKD 2000 weight indicator is versatile and suitable for all types of weighing in the industrial sector as it can be customized according to the purpose of use. The PKD 2000 weight indicator can connect up to 8 load cells and manage up to 4 independent scales. Calibration and linearization up to 8 points can be programmed directly from the digital keyboard or from a PC. PKD 2000 has 4 softwares that facilitate and complete the use of the weight indicator: AF01 (suitable for advanced weighting and formulation applications), AF02 (suitable for weighing applications, piece counting, data management and printing) AF04 (suitable for advanced static control applications), AF05 (for advanced weight management, labeling and pricing).



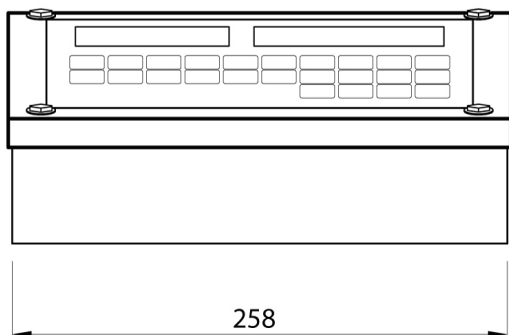
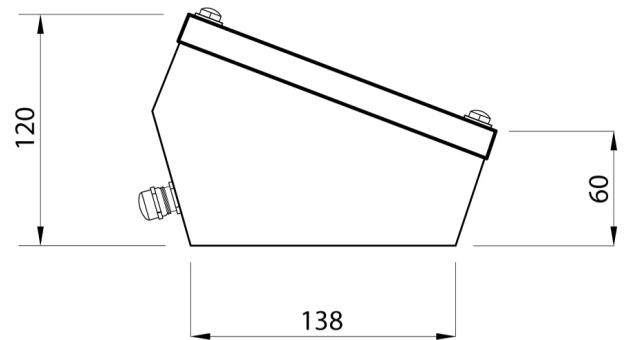
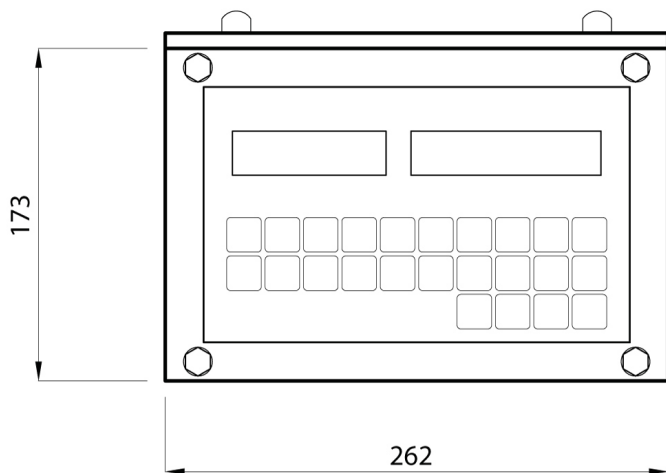
All indicated data may be changed without notice.
All the measures indicated are expressed in millimeters (mm).

Technical specifications

PVS6920200812

Measuring range:	0.6 ÷ 3.2 mV/V
Input sensitivity:	0.03 µV/count
A/D Converter:	24 bit
Transducer input voltage:	5 Vdc ±5% 120 mA (max 8 cells 350 Ohm)
Divisions value (adjustable):	> 800.000 counts
Temperature range:	-10 ÷ +50 °C
Logic output:	4 outputs optoisolanti 48Vac / 0.15 A
Zero balance:	±50 % PN
Logic input:	2 opto-isolated inputs, 12 ÷ 24 Vdc, 20 mA
Serial port:	2 RS232, 1 RS485
Power supply:	100 ÷ 240 Vac 56 ÷ 60 Hz / 12 Vdc, internal power 6 Vdc by rechargeable battery
Conversion speed:	200 conversions per sec with an automatic selection
Power consumption:	16 VA

All indicated data may be changed without notice.
All the measures indicated are expressed in millimeters (mm).



All indicated data may be changed without notice.
All the measures indicated are expressed in millimeters (mm).