

General information

PVS23220200812

The weight indicator PSVIS HE 60 has an input for load cells, a 6-character numerical display, a stainless steel container and watertight connections. The configuration and calibration are set up by radio control.



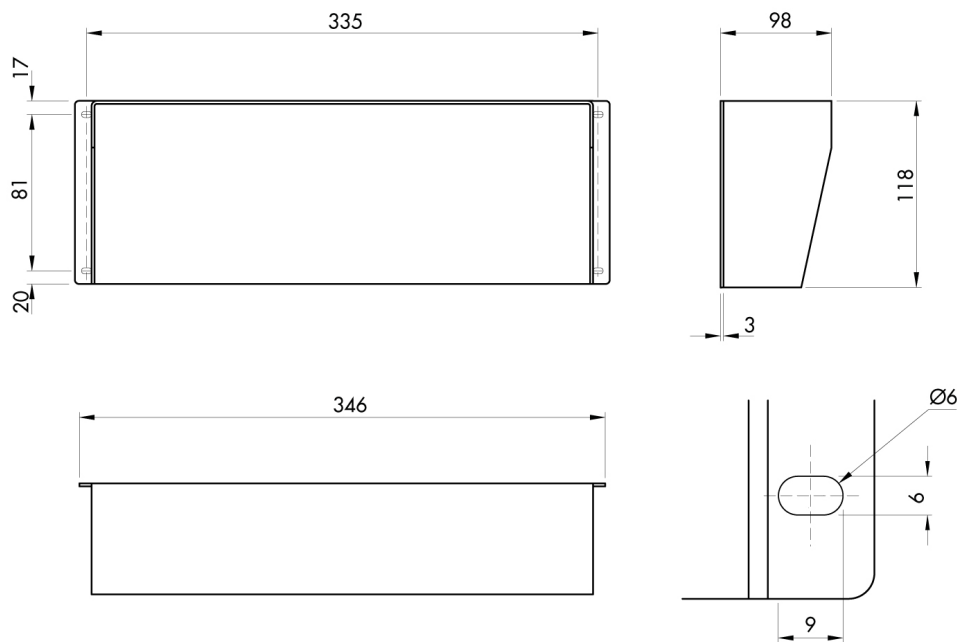
All indicated data may be changed without notice.
All the measures indicated are expressed in millimeters (mm).

Technical specifications

PVS23220200812

Measuring range:	-1.5 mV/V ÷ +3.5 mV/V
Full scale non-Linearity:	<0.01%
Display:	numerical to 6 digit to high efficiency and wide visual angle
Internal Resolution:	24 bit
Material:	Stainless steel protected against dust
Frequency signal acquisition:	6 ÷ 25 Hz
Visible resolution (in divisions):	> 60.000
Decimal figures range:	0 ÷ 3
Temperature range:	-10°C ÷ +40°C (max humidity 85% without condensation)
Storage temperature:	-20 ÷ +50°C
Filter:	0.2 Hz ÷ 25 Hz
Excitation voltage:	5 Vdc/120mA (max 350 Ohm 8 cells in parallel) short circuit protected
Logic output:	3 outputs
Serial port:	RS232C/RS485; Ethernet (optional), Profibus (optional)
Power supply:	230 - Opz. 115 Vac 50/60 Hz - max absorption 15 VA
Regulatory compliance:	EN61000-6-2, EN61000-6-3, EN61010-1
Dimensions:	346 mm x 118 mm x 98 mm (l x h x p)
Reading distance:	up to 15 m
Temperature drift (analog input):	< 0.001 % FS/C°
Temperature drift (load cell):	< 0.0003 % FS/°C

All indicated data may be changed without notice.
 All the measures indicated are expressed in millimeters (mm).



All indicated data may be changed without notice.
 All the measures indicated are expressed in millimeters (mm).